



SPECIALTY HAULAGE SOLUTIONS FOR CONSTRUCTION AND MINING



MMP-MEGA MOBILE PUMP



APPLICATIONS FOR CUMMINS®



MEGA CORP.®
700 Osuna Rd. N.E. • Albuquerque, NM 87113 • 1-800-345-8889 • 505-345-2661 • Fax 505-345-6190
www.megacorpinc.com
08-2012 All Rights Reserved.



STANDARD FEATURES

Diesel Engine –CUMMINS® B3.3T*
Battery –BCI Maintenance Free 12V 660CCA
30 gal Diesel Tank
Hydraulic Pump
23 gal. Hydraulic Tank
Chevron Clarity AW46 Hydraulic Oil (Biodegradable)
Hitch Assembly –10,000 lb Rated with 2 5/16” Ball
Tires –Titan Radial ST235/80R16 Load Range E
Full Fenders
3 Jacks with Adjustable Height Settings
DOT Lighting and Reflectors
Folding Tongue for Maximum Loading Access
Hydraulic Oil Filter
Engine Throttle, Controls and Instrumentation
Caterpillar Hose and Fittings –Reusable Stems and Sleeves
Hydraulic Pressure Gauge
Trash Screen on Pump Inlet
One Person Transport and Set Up
Tool Storage Area in Battery Box
Intake and Discharge Tube Are Fully Adjustable
Anti-Vacuum Discharge Sock



Highway capable chassis. One person operation for travel, set up and use.

OPTIONAL FEATURES

Other Diesel Engines May Be Available
Electric Brakes
Securable Spare Tire and Rim
Electric Hookup for Trucks
Wireless Remote Start/Stop
Security Package –Call Mega for Details
Hitch Assembly With Either Lunette Eye (Pintle) or Clevis Hitch

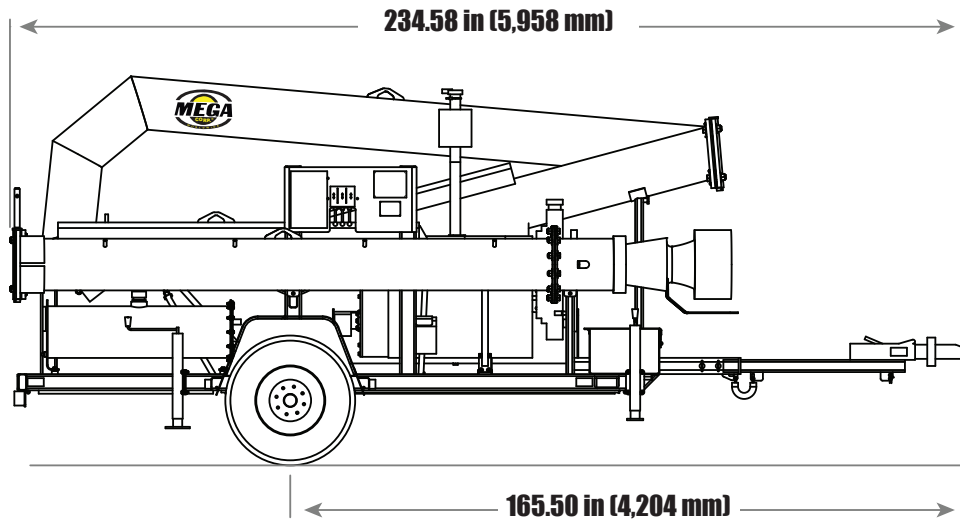


Rated at 3,500 gallons per minute.

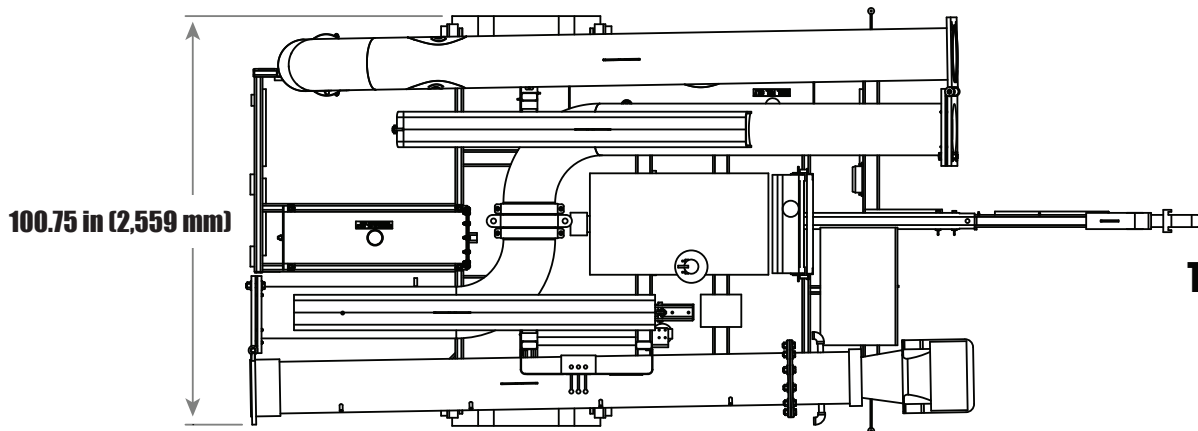
***CATERPILLAR® and JOHN DEERE® engine options available. Please look at our other MMP4 brochures available on our website or by calling us at 1-800-345-8889.**



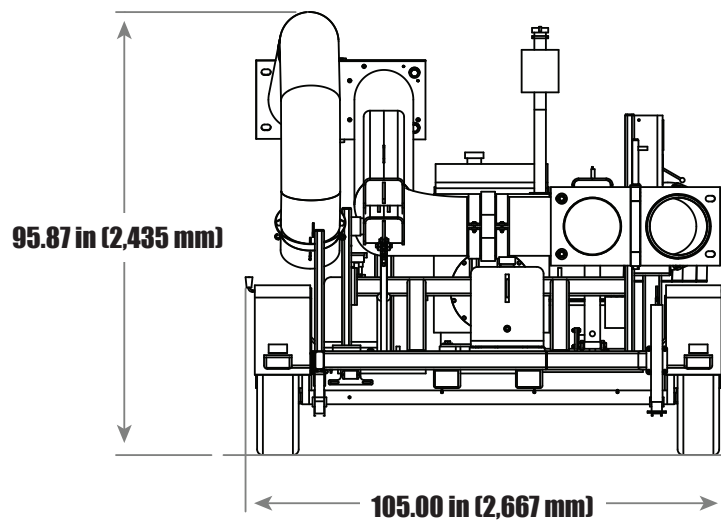
MMP-MEGA MOBILE PUMP-TRANSPORTATION DIMENSIONS



Side View



Top View

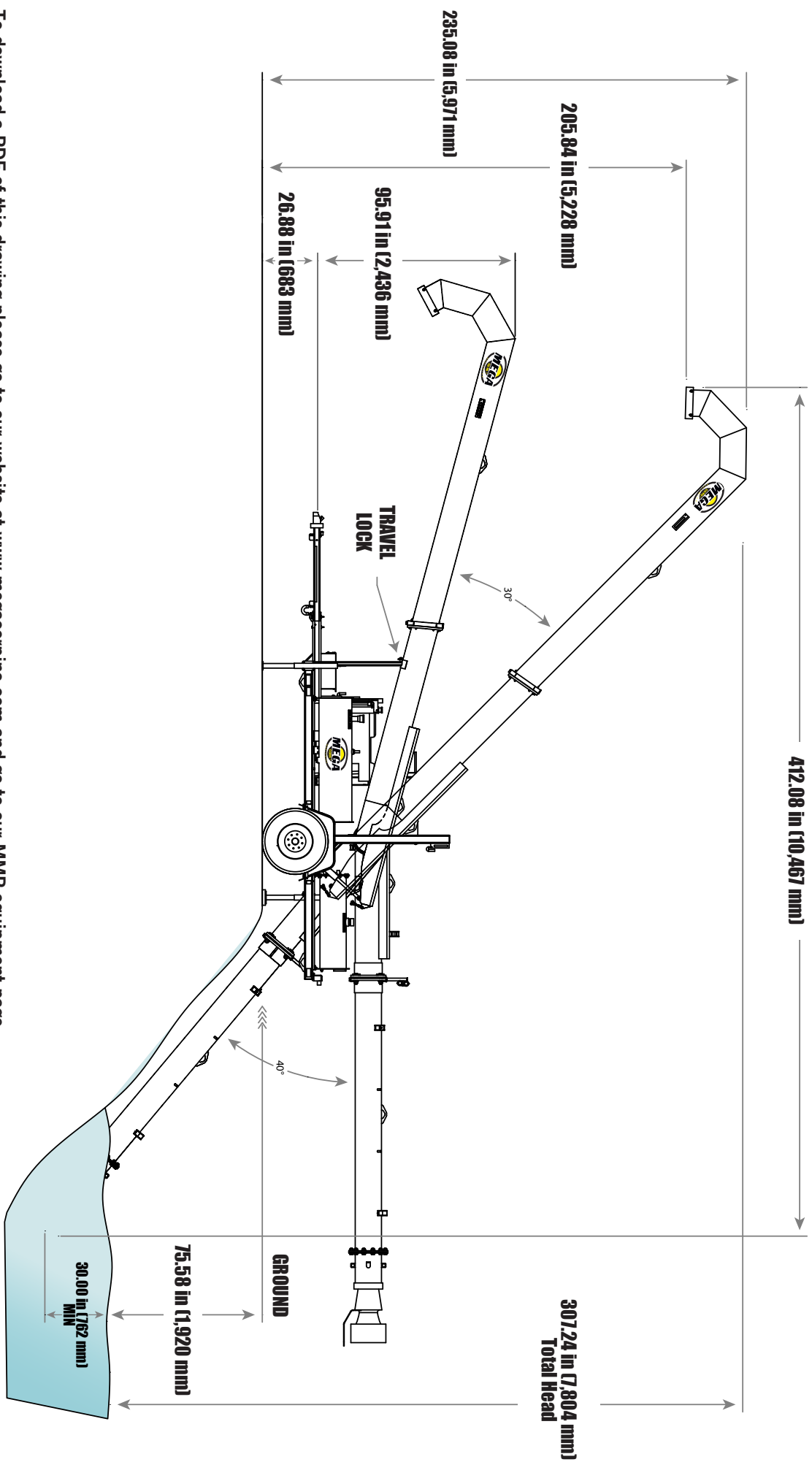


Rear View

To download a PDF of this drawing please go to our website at www.megacorpinc.com and go to our MMP equipment page.



MMP-MEGA MOBILE PUMP EXTENDED



To download a PDF of this drawing please go to our website at www.megacorpinc.com and go to our MMP equipment page.



Global Product Support

Parts and Product Support available 24 hours a day, seven days a week.

Mega's product support team provides full-time technical support including parts sales, on-site field assistance, training and after-hours emergency parts service. Mega maintains a complete inventory of repair and maintenance parts for all of its products including accessory kits, and support packages for immediate shipment. Call today for more information on ordering parts or visit our website at www.megacorpinc.com.



Se Habla Español!

Recommended Support Parts Package

Out in the field? Need parts? Our spare parts package can be custom configured for single tanks to entire fleets. Please contact us at 1-800-345-8889 or your sales representative for more information.

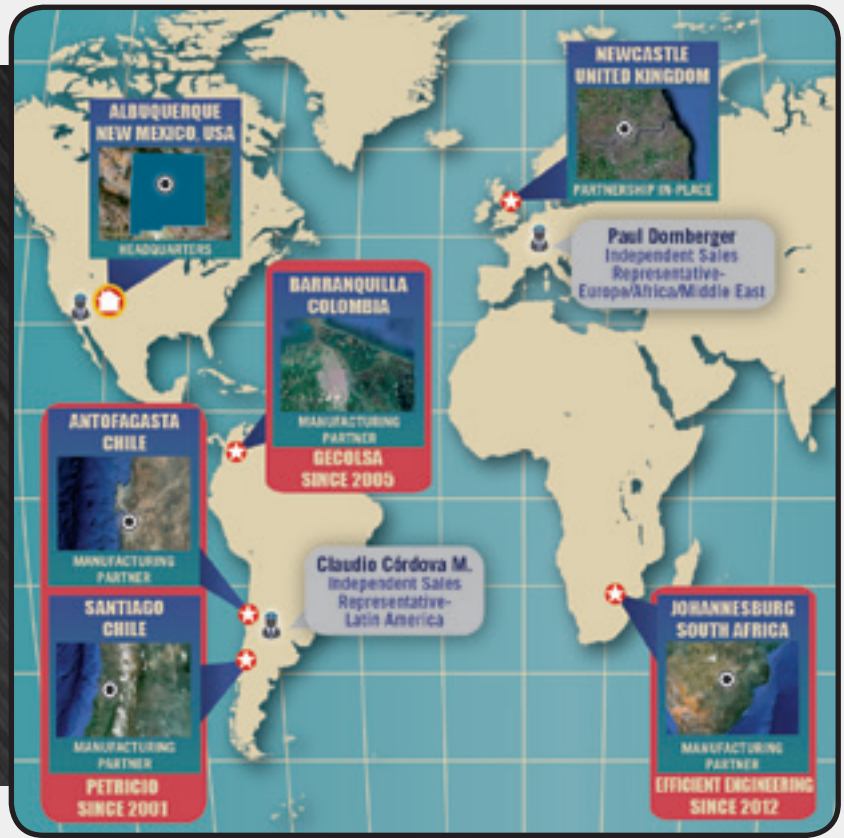


VISIT OUR WEBSITE FOR MORE INFORMATION ON OUR PARTS AT WWW.MEGACORPINC.COM!

We Reach Out Globally to Take Care Of You

We are the world's leading manufacturer of specialty haulage equipment for the construction & mining industry. For over 35 years, Mega has been responsible for the design, development, manufacture, marketing and sale of products used in surface mining and construction projects worldwide.

Mega's products include all varieties of water haulage equipment, 34 yard elevating scrapers, coal haulers, bottom-dump trailers, equipment transports, specialty dumper bodies, mobile pumps, and stand tanks, as well as parts service and technical support. Mega's products are manufactured at its headquarters in Albuquerque, New Mexico, U.S.A. as well as by its partners in South Africa, Columbia, United Kingdom and Chile.



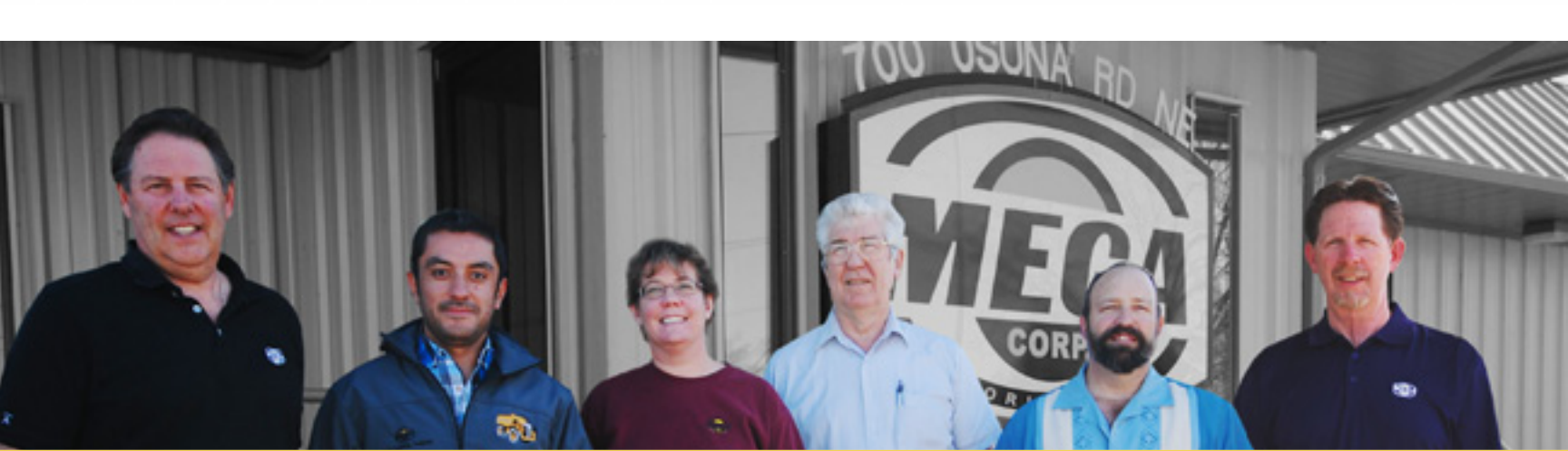
Support Material

MEGA offers a full-line of publications for its products including operator, service, parts and maintenance manuals as well as drawings for installation guides and schematics.



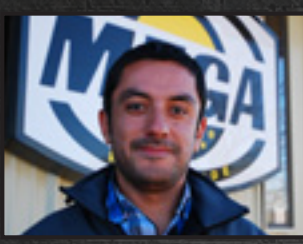
Full-time Quality Control Inspection Staff

- Inspection of weldment to AWS D1.1 standard during and after fabrication.
- Compliance with applicable SAE ISO, and DOT standards.
- Complete product documentation including drawings, parts and operation manuals.
- Fully functional 60+ minute operation of all installed products prior to shipment.
- Compliance with Caterpillar® hydraulic cleanliness specifications including use of Caterpillar® hydraulic kidney system and particle inspection of hydraulic oil samples.



MEET YOUR MEGA EQUIPMENT SALES TEAM!

PLEASE CONTACT US WITH ANY INQUIRIES OR QUESTIONS.



Claudio Córdova M.
Independent Sales Representative
Latin America
ccordova@megacorpinc.cl
011-56996476128



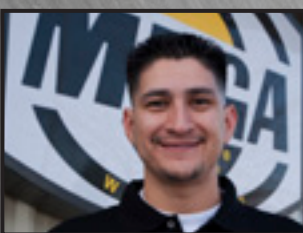
Norm Redenshek
Product Support Manager
Regional Sales Manager
nredenshek@megacorpinc.com
505-341-6987



Paul Dornberger
Independent Sales Representative-
Europe/Africa/Middle East
pdornberger@megacorpinc.com
+41 22 751 0020



David Holly
Product Support Technician
dholly@megacorpinc.com
505-341-6990



Miguel Galaviz
Parts Sales
mgalaviz@megacorpinc.com
505-341-6986



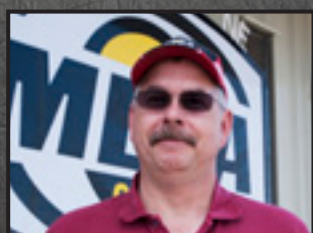
Jeff Linn
Director-Sales, Marketing
& Product Support
jlinn@megacorpinc.com
505-345-2661



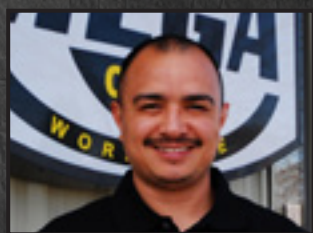
John Stubbs
Parts Sales Manager
Regional Sales Manager
jstubbs@megacorpinc.com
505-259-5975



Jennifer Gockley
Sales Administrator
jgockley@megacorpinc.com
505-341-6998



Bill Taylor
Product Support Sales Representative
btaylor@megacorpinc.com
505-341-6988



Jose Barraza
Parts Sales
jbarraza@megacorpinc.com
505-341-6969



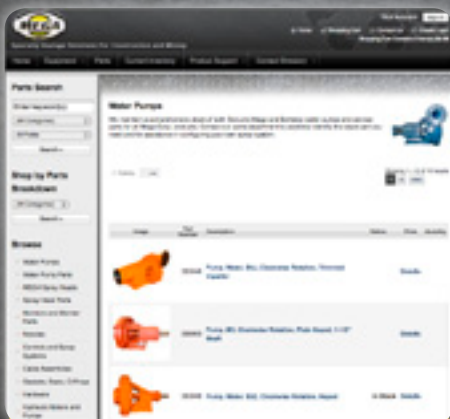
CHECK US OUT ON THE WEB @
WWW.MEGACORPINC.COM

ONLINE PARTS ORDERING IS NOW AVAILABLE!



In response to customer requests, Mega has added online ordering capability to our website. Customers can browse through approximately 700 of our most commonly-ordered parts and place orders using both PO's and credit cards.

Customers will need to register on-line to access this service. Pricing on the web, including any applicable discounts and shipping, will be the same as if the order were placed via telephone. Along with parts ordering, Mega has refreshed the look and functionality of the website to improve its use. Check us out at: www.megacorpinc.com.



Order Parts!



Illustrated Parts Breakdowns!



Set up your account TODAY!



© 2012 Mega Corp. All rights reserved.

For more information please visit us on the web at www.megacorpinc.com

MEGA Corp. and its respective logos as well as corporate and product identity used herein, are trademarks of Mega Corp. and may not be used without permission.

MEGA retains all copyrights in any text, graphic images, and content owned by MEGA Corp. and hereby authorizes you to electronically copy documents published herein solely for the purpose of transmitting or viewing the information.

You may not mirror, modify or otherwise alter any files for rebroadcast, or print the information contained therein, without written permission from MEGA Corp.

Materials and specifications are subject to change without notice. Featured machines in photos may include additional equipment. See your dealer for available options.